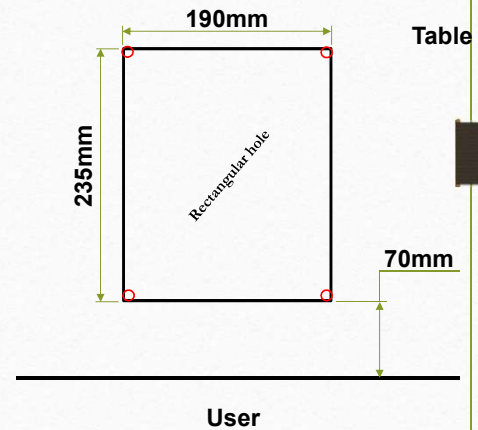


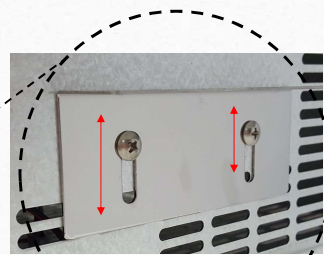
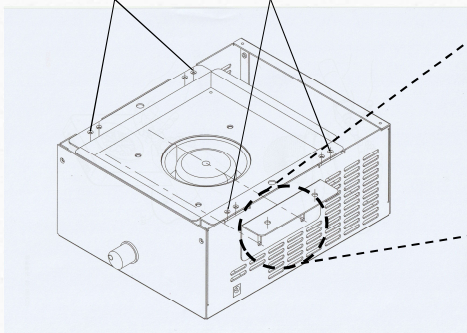
Drill a rectangular hole with a width of 190mm and a length of 235mm at a position of 70mm at the end of the user's table.



*****70mm recommended distance
(if table width is 460mm)***

Before installing on a table, assemble it as shown.

1. Screw in two places each.



2. Loosen the screws so that the bracket can move.

